



**TOYOTA**

ALWAYS A  
**BETTER WAY**

# Hilux

## Hood Protector

Installation Instructions

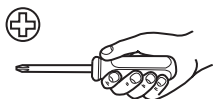
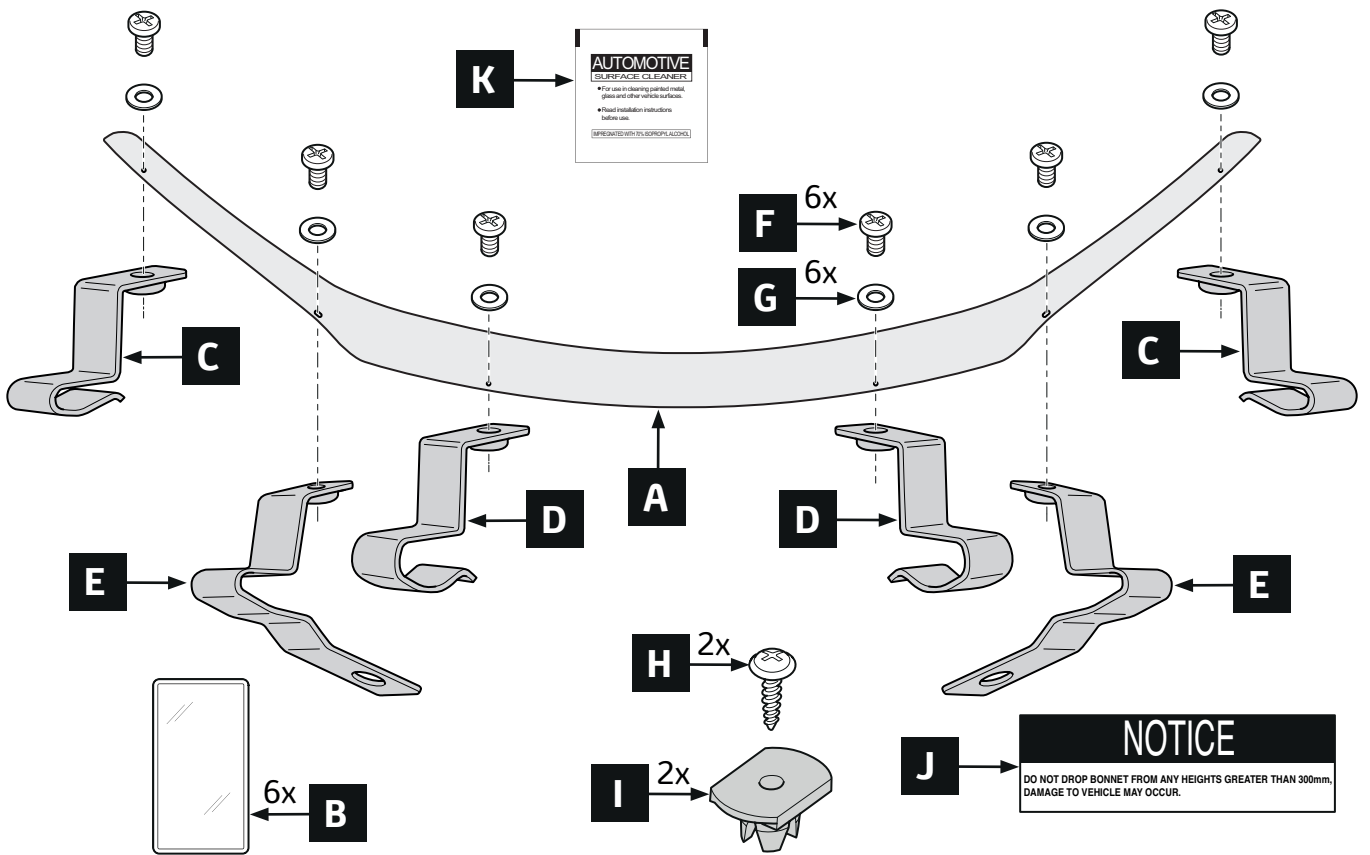
Model year: 2015/04  
Vehicle code: GUN1\*\*\*-\*\*\*\*HW  
Part number: PZQ15-89315

Manual reference number: AIM 003 831-0

# Revision record

Rev. No.	Date	Page	Picture	Update	New	Deleted steps

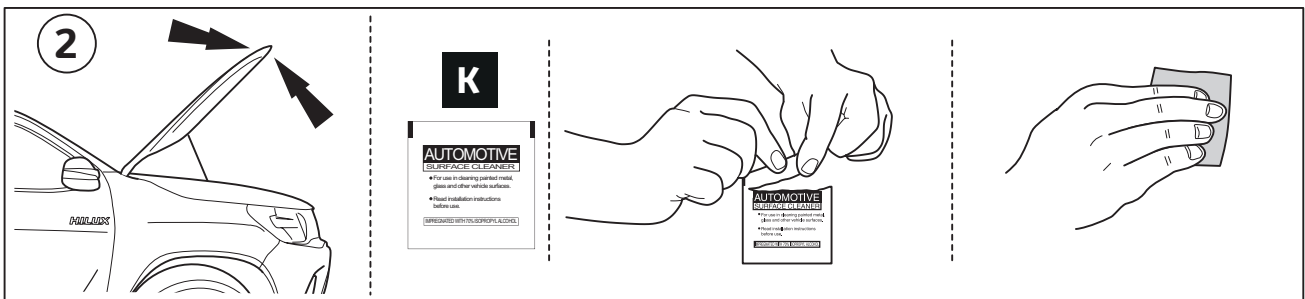
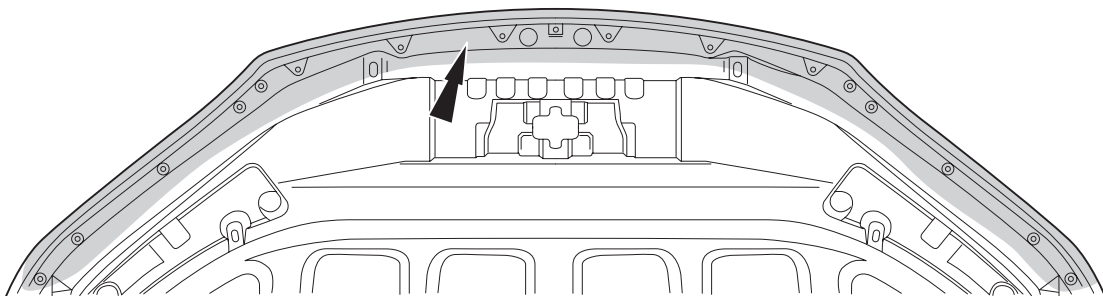
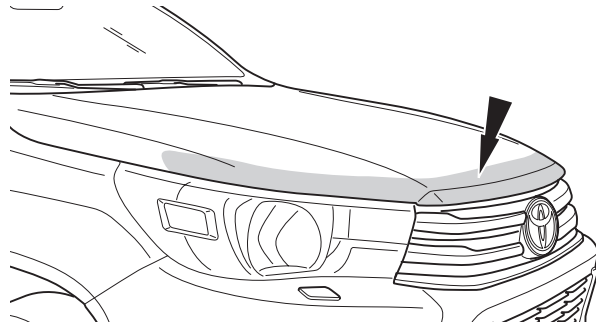
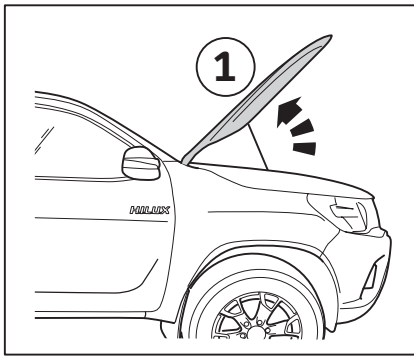
PZQ15-89315

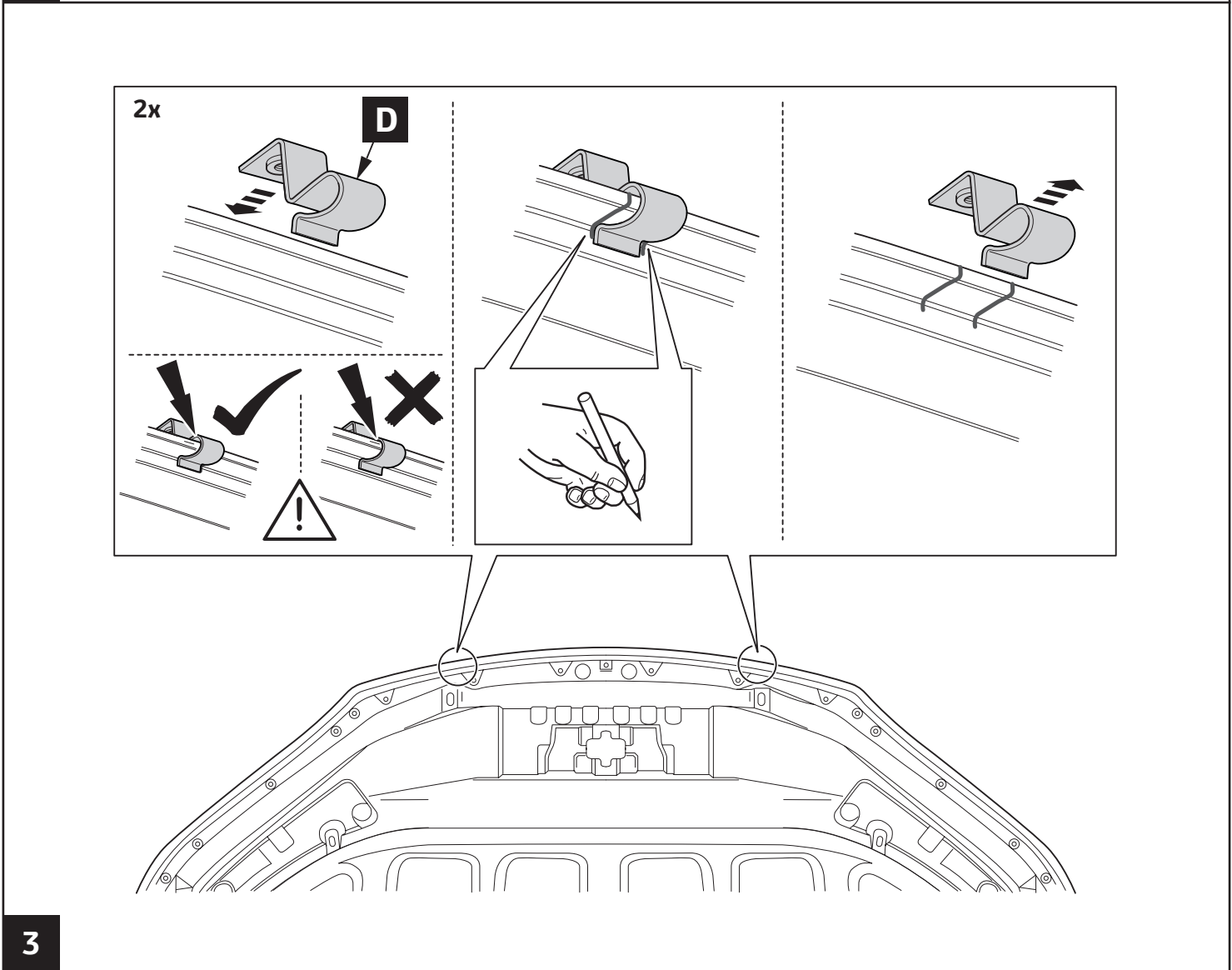
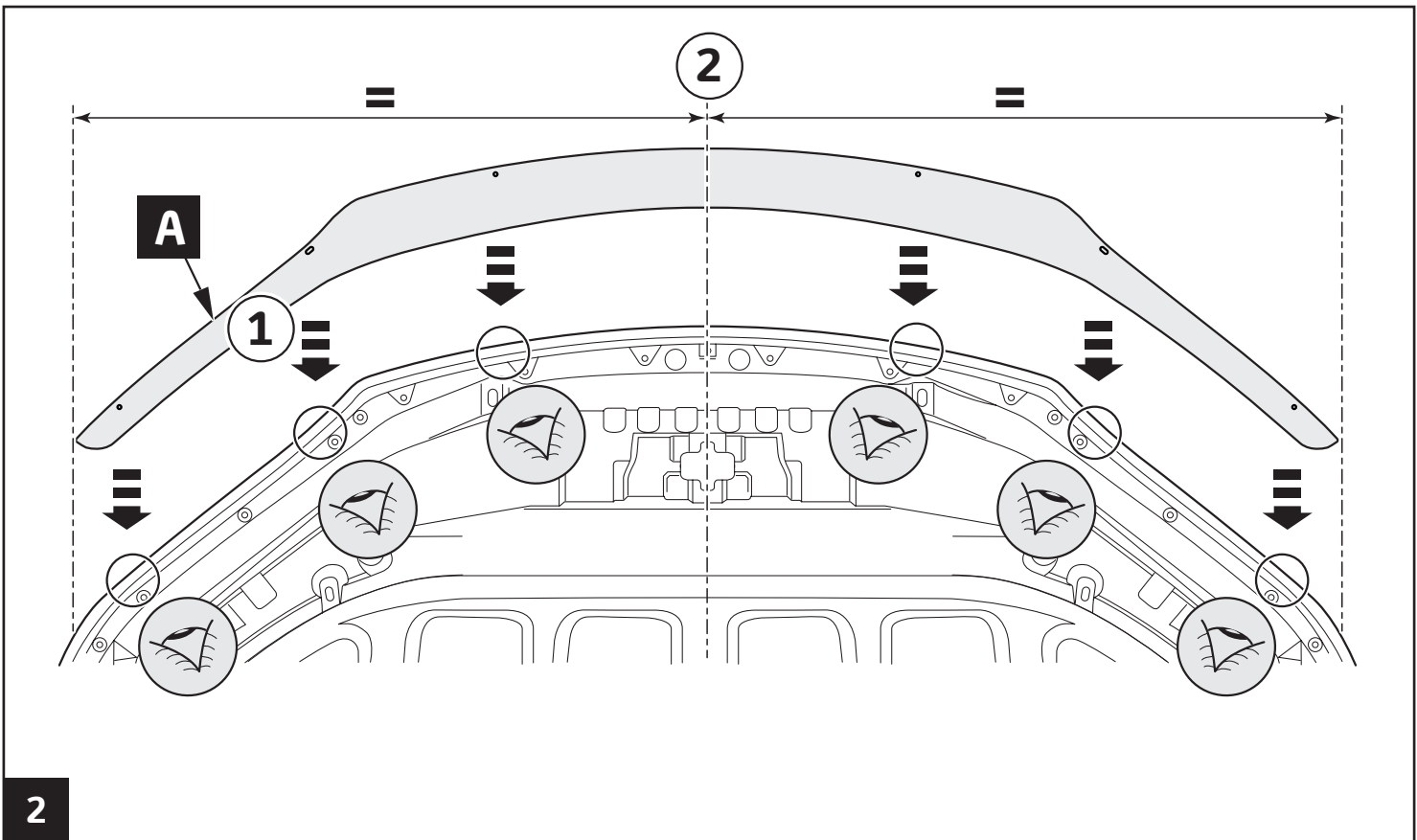


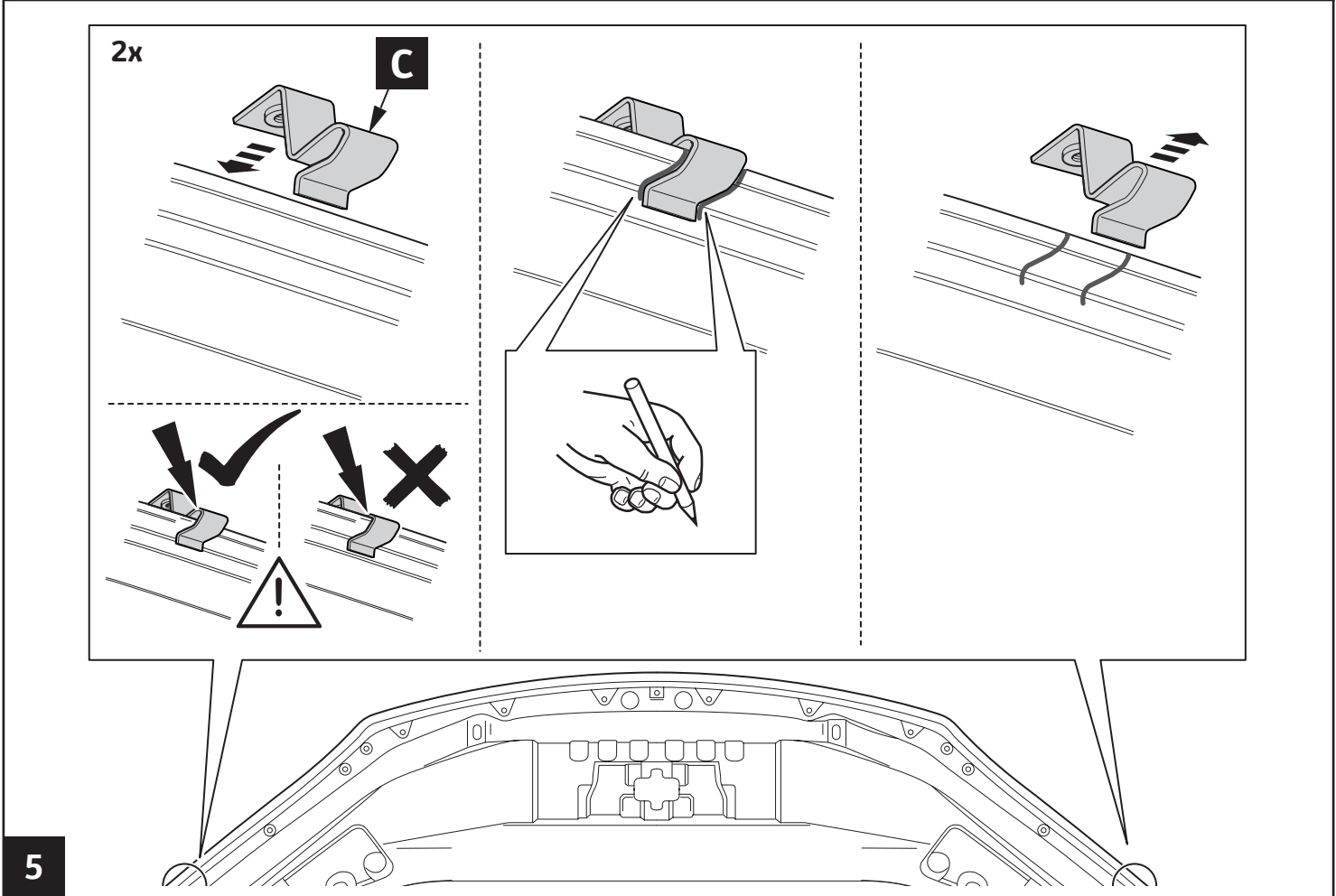
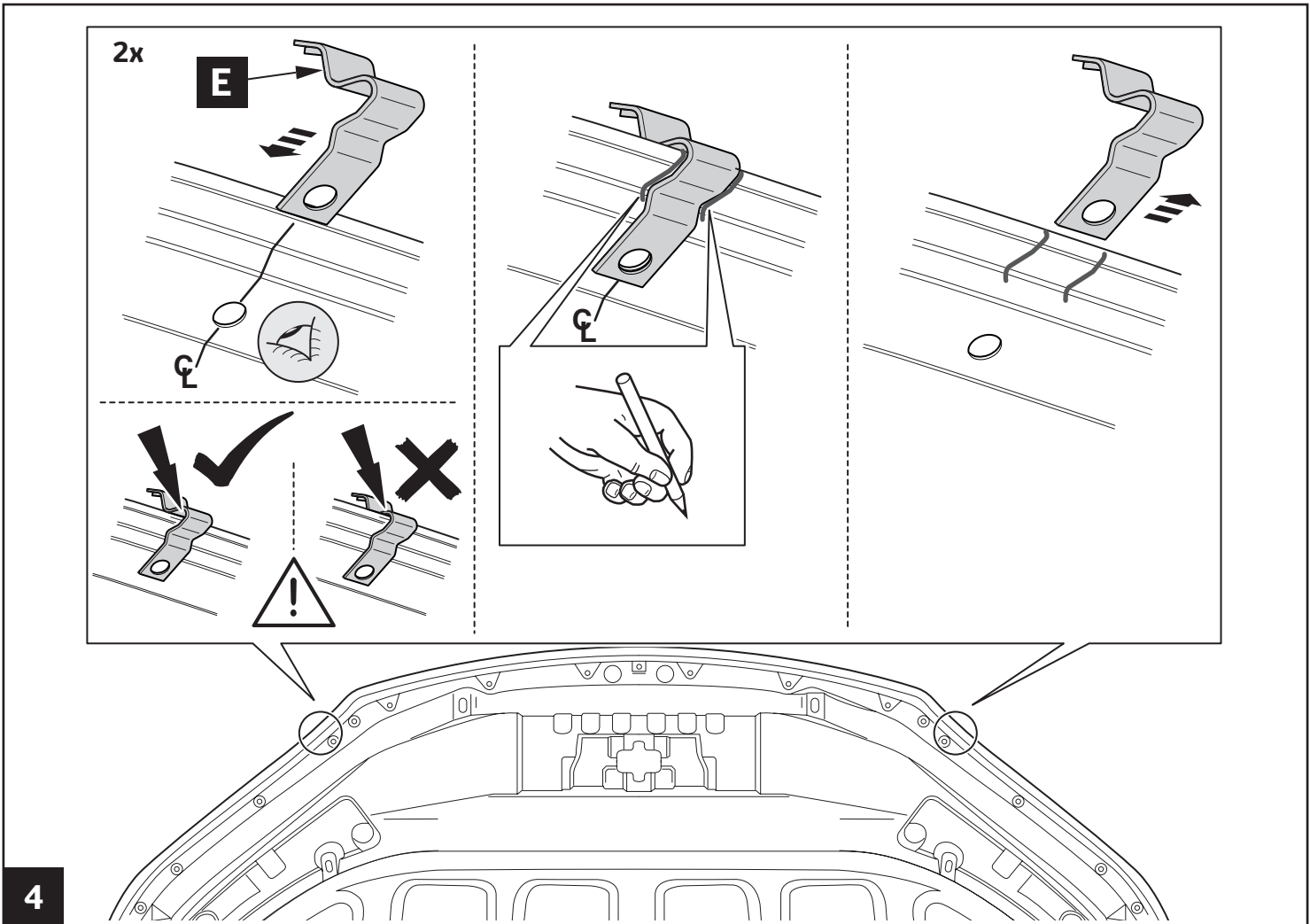


40°C

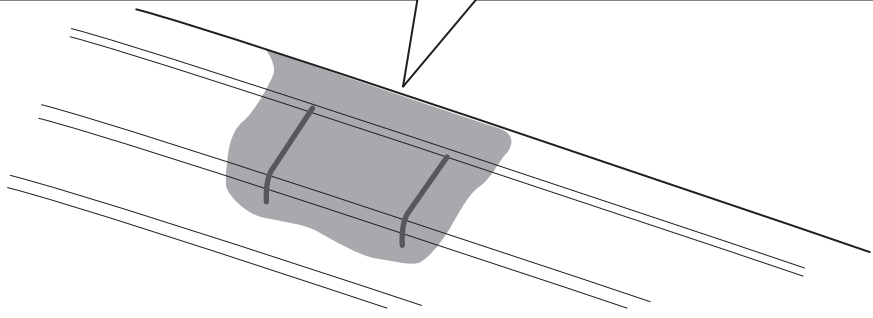
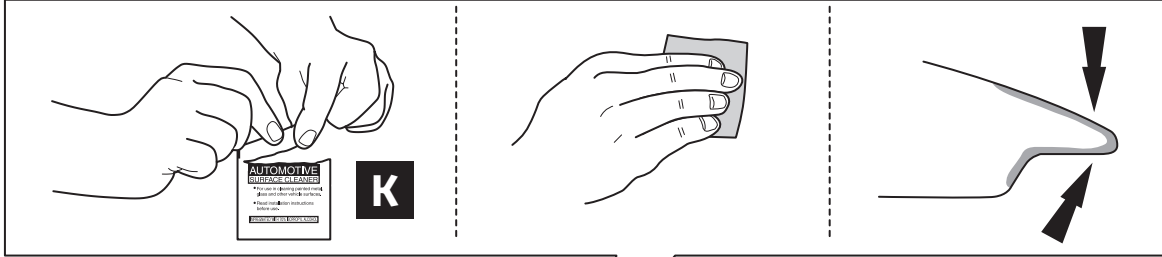
18°C



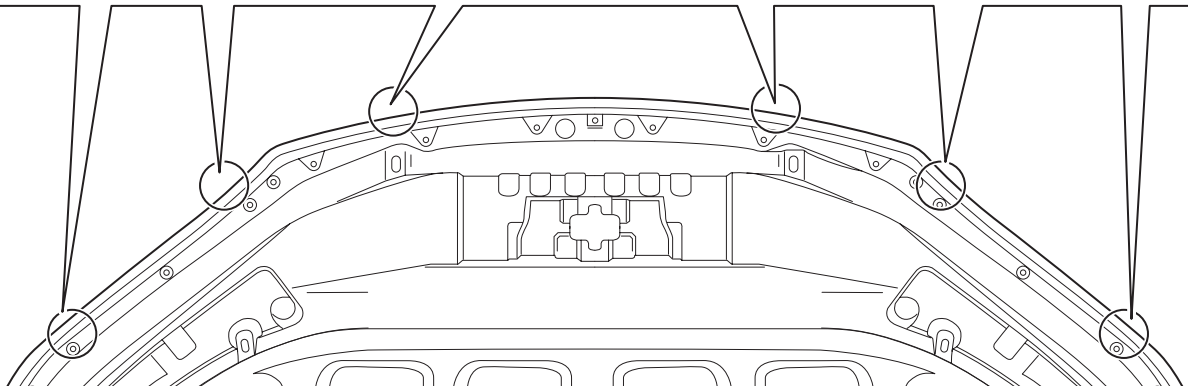




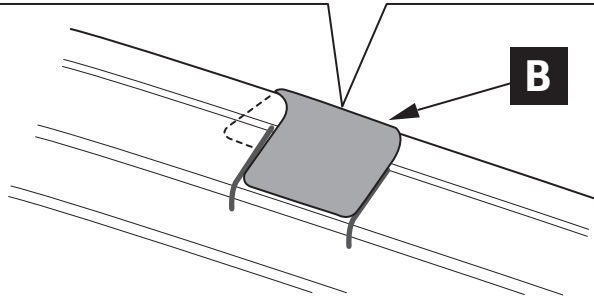
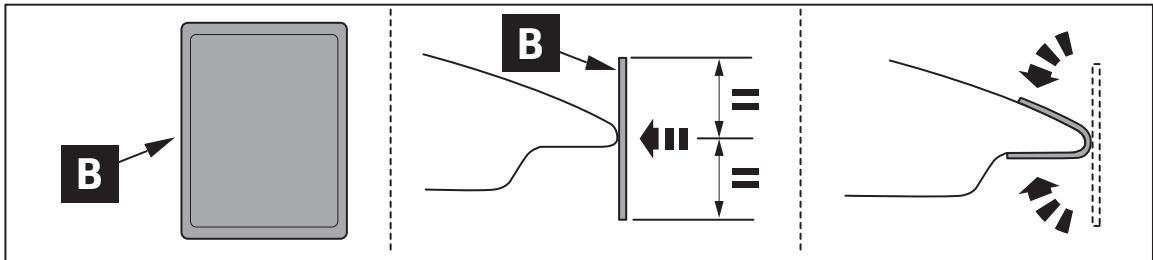
6x



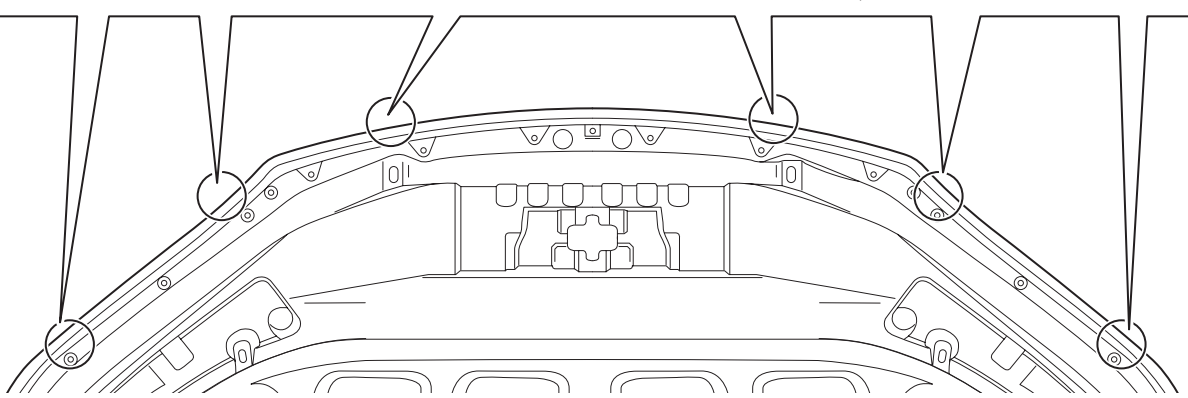
6

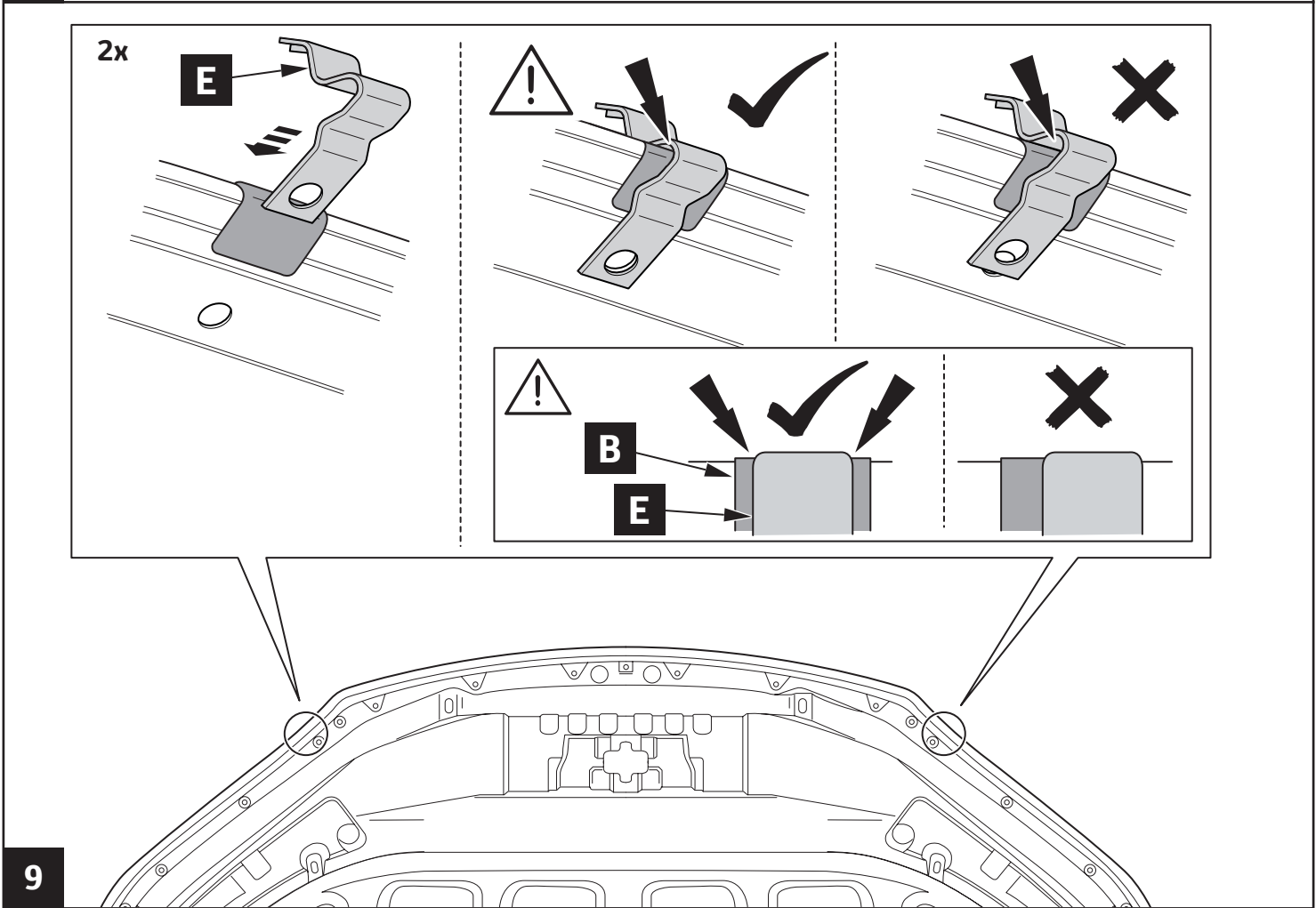
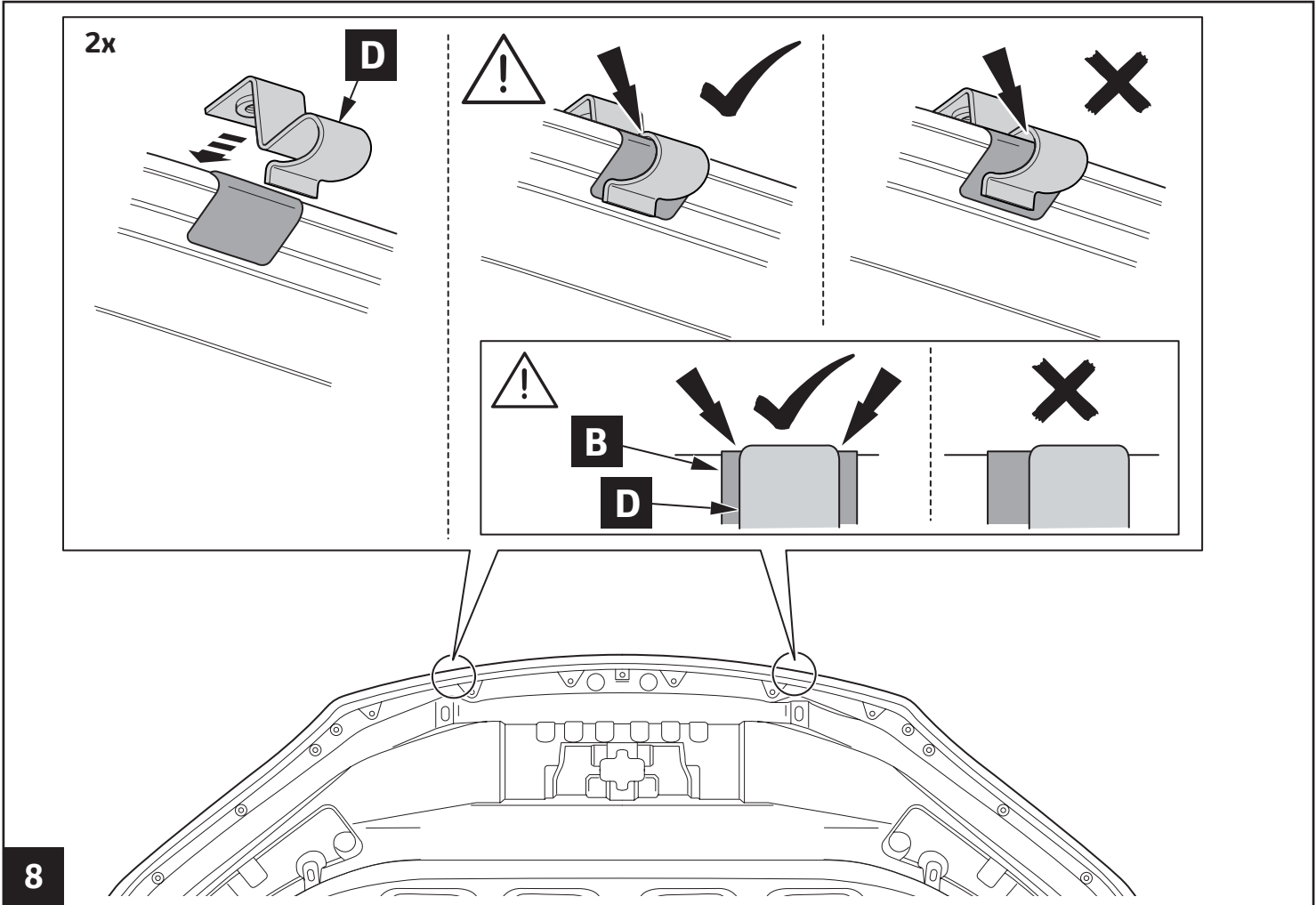


6x

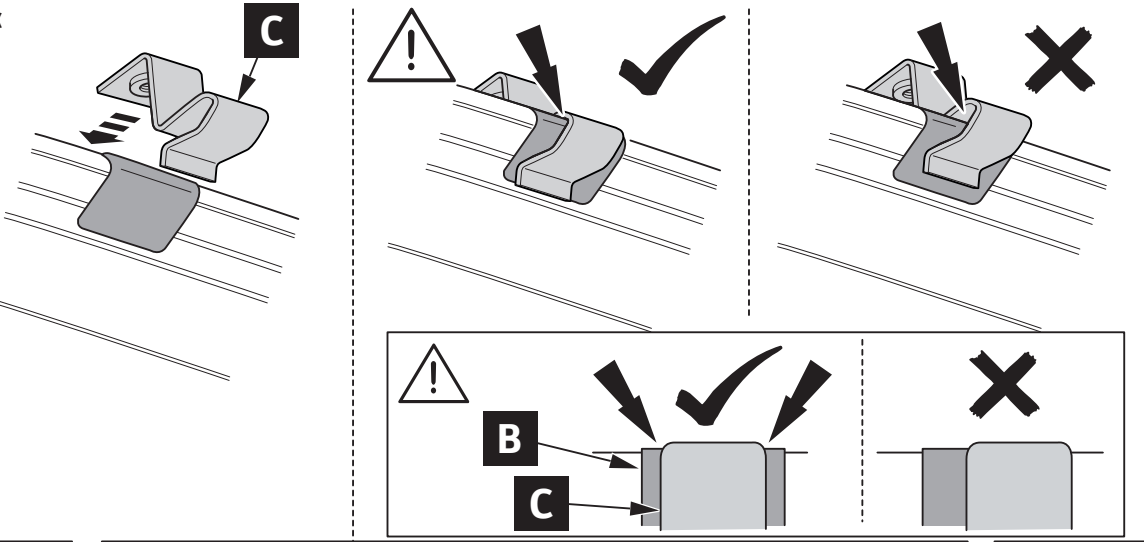


7



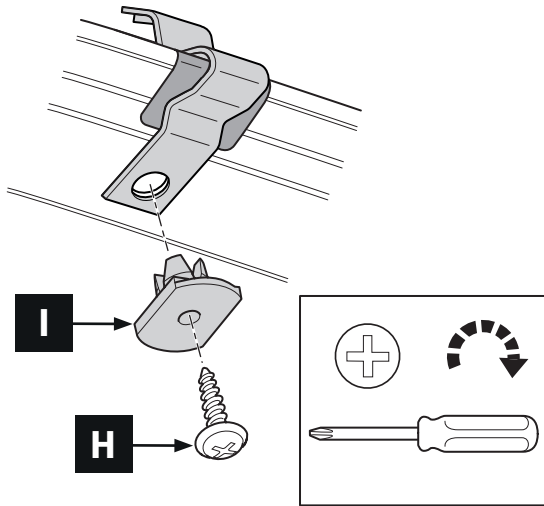


2x



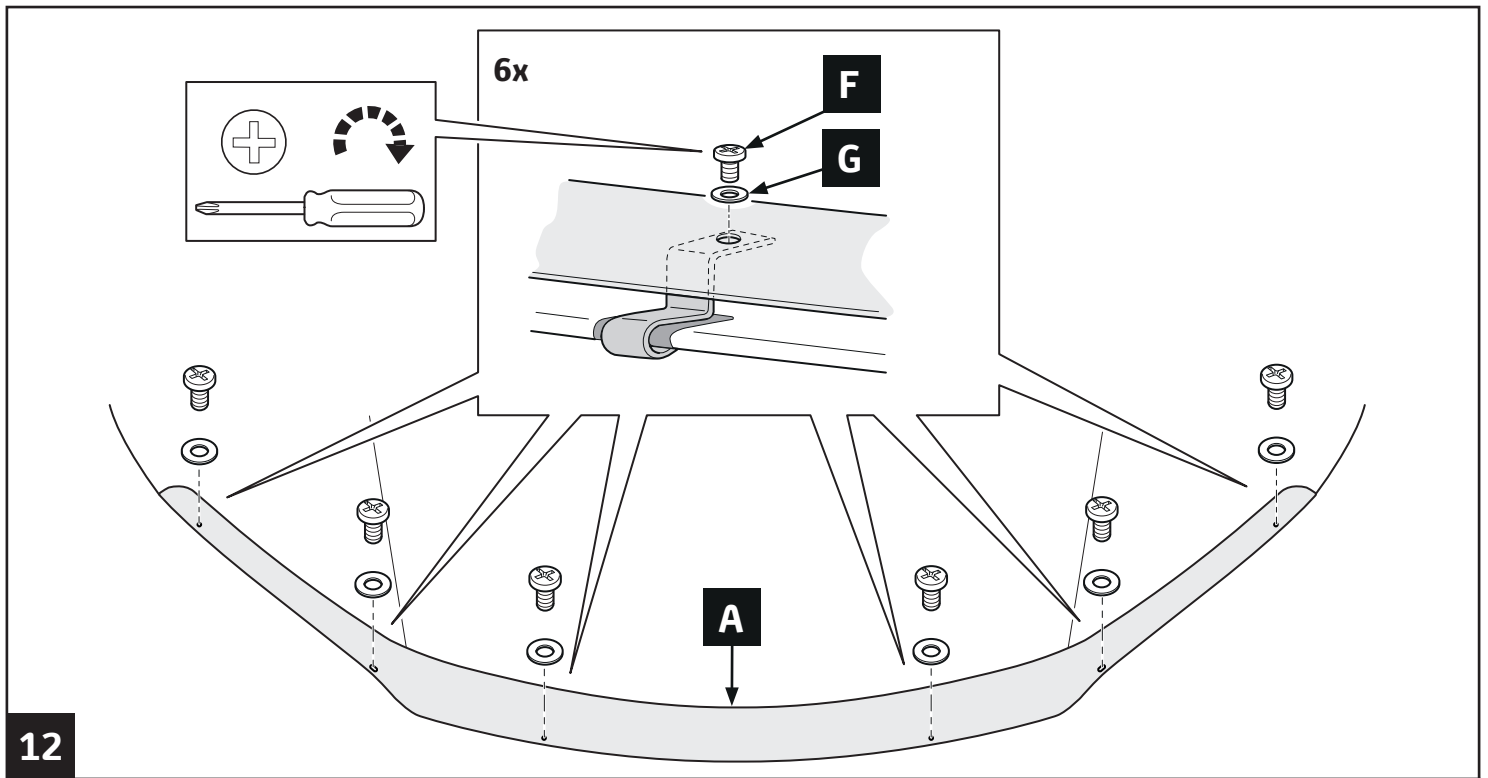
10

2x

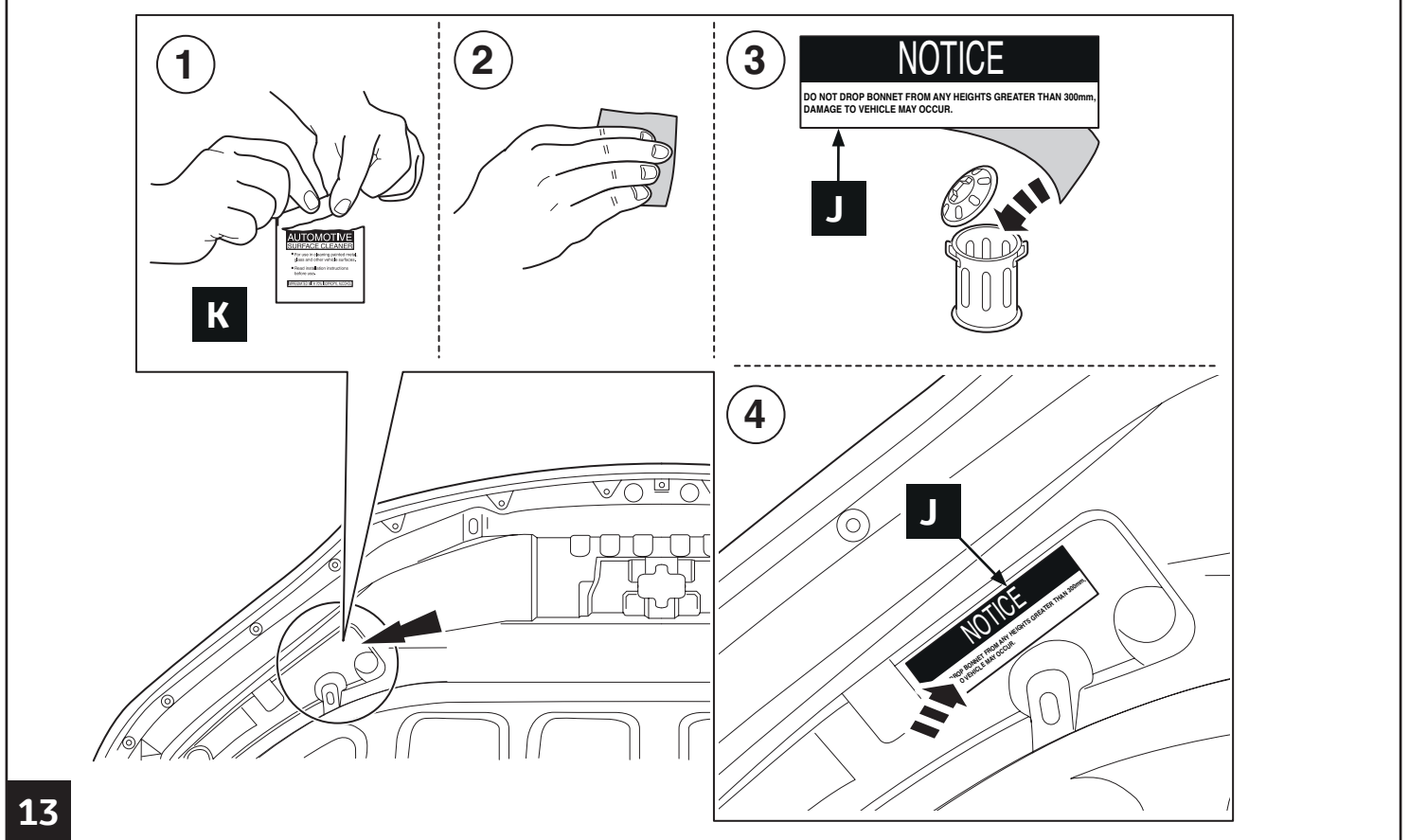


11

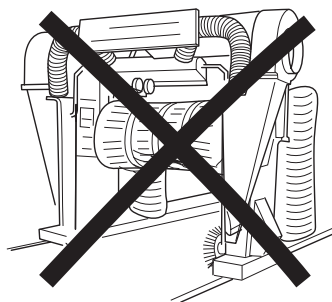




12



13



# CHECK SHEET



**TOYOTA**

**Model / Year**


**Hilux 2015/04**

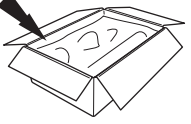
**Hood Protector**

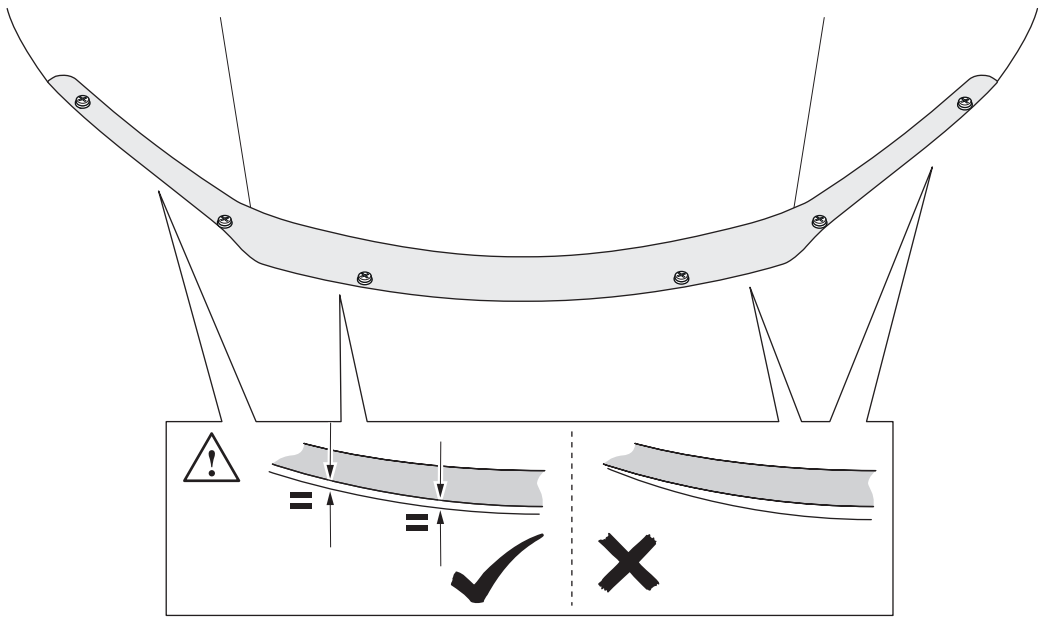
**VIN n°**

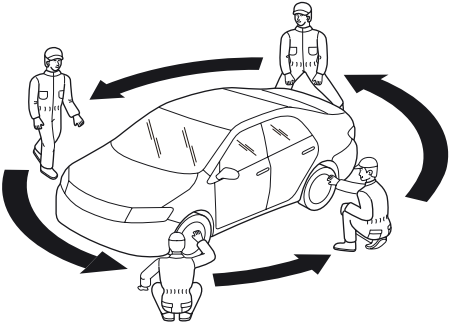
□ □ □ □ □ □ □ □ □ □ □ □ □ □ □ □ □ □



ALWAYS A BETTER WAY

 **P/N = OK**







  = OK

**Installation Date:**

. . / . . / . . . .

**Technician Name & Signature:**

**Stamp:**