

Extendable LED Worklight (MP4054)

USER GUIDE



IMPORTANT SAFETY INSTRUCTIONS

- Fully charge the device before first use.
- Do not use the lamp in the immediate vicinity of inflammable materials or gases.
- Only ever use this product in conjunction with the accessories supplied.
- This product is not to be used by children unsupervised.
- Refrain from directing the output of the lamp directly into your eyes
- Thoroughly inspect the device and its accessories prior to each use. If any component is damaged, the product should not be used.

COMPONENTS



This box contains:

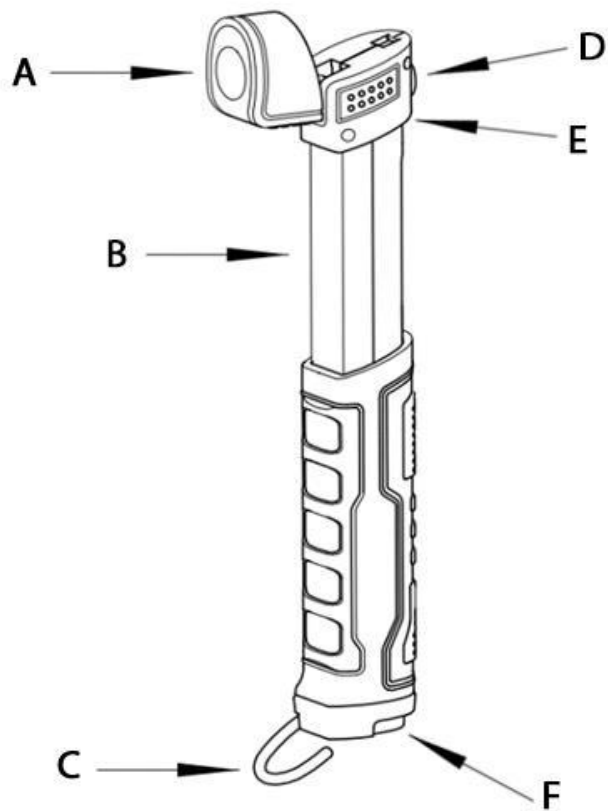
1 x Worklight

1 x USB charging cable

CHARGING

- Connect the micro USB plug directly into the worklight
- Connect the type A USB plug into a charging port
- The battery charging status can be confirmed by the illumination of a red LED. Once charging is complete the LED will illuminate green.
- Fully charge the device at least once every three months to ensure the condition of the battery is maintained.

OPERATION



A. LED spotlight
B. Primary worklight
C. Metal hook

D. Power button
E. USB charging socket
F. Magnetic base

- The primary worklight (B) will automatically illuminate when the light is extended.
- Pressing the power button (D) once will illuminate the LED spotlight (A). A second press will turn the spotlight (A) off.

TECHNICAL SPECIFICATIONS

Part No	MP4054
LED	3W COB lamp. 1W LED torch
CRI	70
Lumens	300 Lumens (Worklight) 250 Lumens (Torch)
Battery	3.7V 1,800mAh
Charging period	3-4 hrs
Operating Time	Approx 2-3hrs
Charging input	5V DC 1A
Colour Temperature	6,500K
IP Rating	IP20

ENVIRONMENTAL PROTECTION



Waste electrical products should not be disposed of with household waste. Please recycle where facilities exist. Check with your local authority or retailer for recycling advice.

Declaration

2014/30/EU EMC Directive

EN6100-3-2:2014

EN6100-3-3:2013

EN55015:2013 + A1:2015

EN61547:2009

2012/19/EU WEE Directive

2011/65/EU + 2015/863/EU RoHS Directive

A handwritten signature in black ink, appearing to read 'S. Cole'.

Technical Manager, Maypole Ltd, June 2019

Email: sales@maypoleltd.co.uk

Web: www.maypole.ltd.uk